

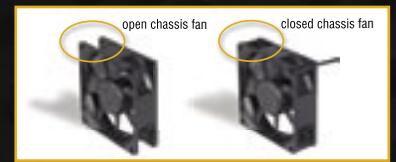
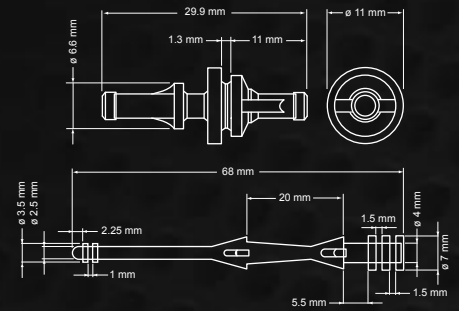
NEXUS

The Nexus anti vibration mounting kit is an easy to use all-in-one mounting kit to minimize vibration noise from CPU fan, case fans and hard disk drives. Including 4 soft rubber feet for your case.

24 Rubber Fan Mounts

12 units rubber fan mounts for open chassis fan & 12 units rubber fan mounts for open and closed chassis fan

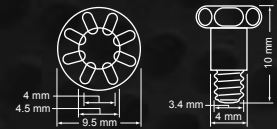
- Prevents resonance, absorbs vibrations that otherwise would be transmitted from the fan into the computer case
- 12 units to be used on open chassis fans
- 12 units to be used on open or closed chassis fans
- 4 units to be used per fan, so sufficient rubber fan mounts for 3 fans



12 Rubber Grommets + Screws

12 units rubber grommets with screws for hard disk drive mounting

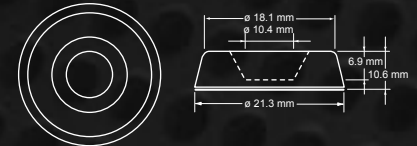
- Helps to reduce transmitted vibration noise from the hard disk drive, by isolating the mounted hard disk drive from the case chassis
- Suitable for both 3.5" and 2.5" hard disk drives
- 4 units to be used per hard disk drive, so sufficient grommets and screws for 3 hard disk drives



4 Rubber Feet

4 units rubber feet with adhesive

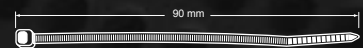
- Superb soft rubber feet to replace any hard plastic version
- Prevents the transition of unwanted vibrations from inside a pc via the chassis into the desk or hard floor
- With pre-applied adhesive tape
- Can also be used on printers, speakers etc.



20 Tie Raps

20 units tie raps

- Clear plastic tie raps
- To tie up loose cables to prevent them from hitting fan blades and to prevent annoying noises caused by loose cables touching the case chassis
- 9 cm/3.54 inch length



MOUNTING KIT

MTK-6000

ANTI VIBRATION TOOLS

