

Optional 1366 Backplate

Optional 1366 Backplate is available for a structure enhancement

- Place the motherboard vertically and place the washers at the holes then fasten the screws slightly.

Then fasten the screws in an alternating manner until the clip is completely pressed onto the motherboard.

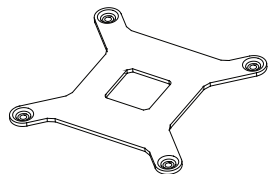
-Backplate SPEC

Backplate size:93*93*7.5mm (3.66*3.66*0.18 inch)

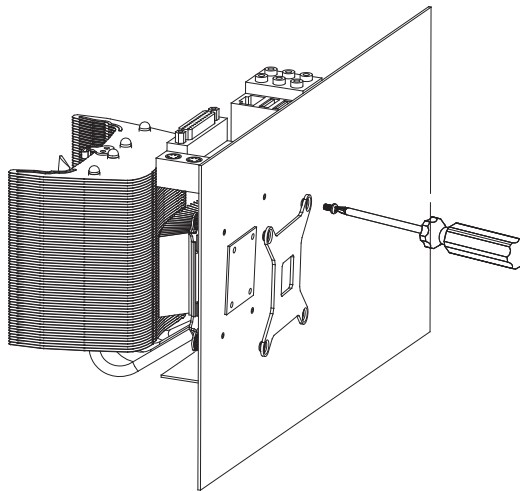
Backplate hole size:80*80mm (3.15*3.15 inch)

Backplate Material:SPCC

Weight:71g(2.51 oz)



LGA1366 Backplate



LGA1366 Backplate Insert